



SERVICE PARTS MANUAL
MFI1506Air and MFI1506Remote
MFI2306Water and MFI2306Remote



14-1036M

Date 09/16/2019

11100 E. 45th Avenue • Denver , CO 80239 • WWW.iceomatic.com

This parts list contains the service parts available for the GEM-MFI Series icemakers listed below:

MFI1506A=Air Cooled

MFI1506R=Remote Cooled

MFI2306W=Water Cooled

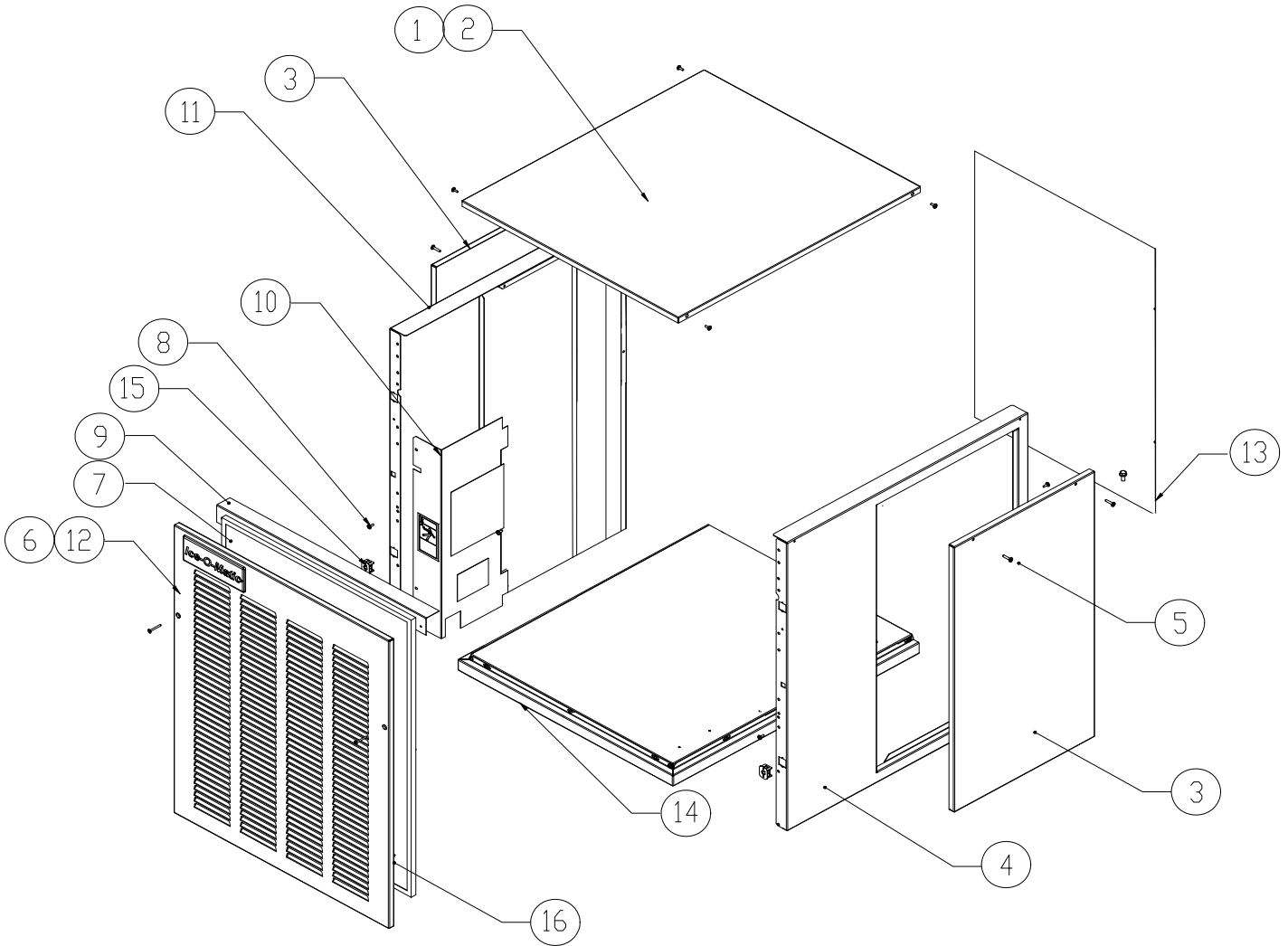
MFI2306R=Remote Cooled

Check the model number on the data plate and refer to the correct listing for the specific component.

Check carefully that the correct part is identified and ordered.

Table of Contents	Page 1
Cabinet Assembly	Page 2
Air Cooled	Page 3 - 4
Remote Cooled	Page 5 - 6
Down Chute/Water System	Page 7 - 8
Evaporator	Page 9 - 10
Water Cooled	Page 11 - 12
Control Box	Page 13
Gearmotor	Page 14

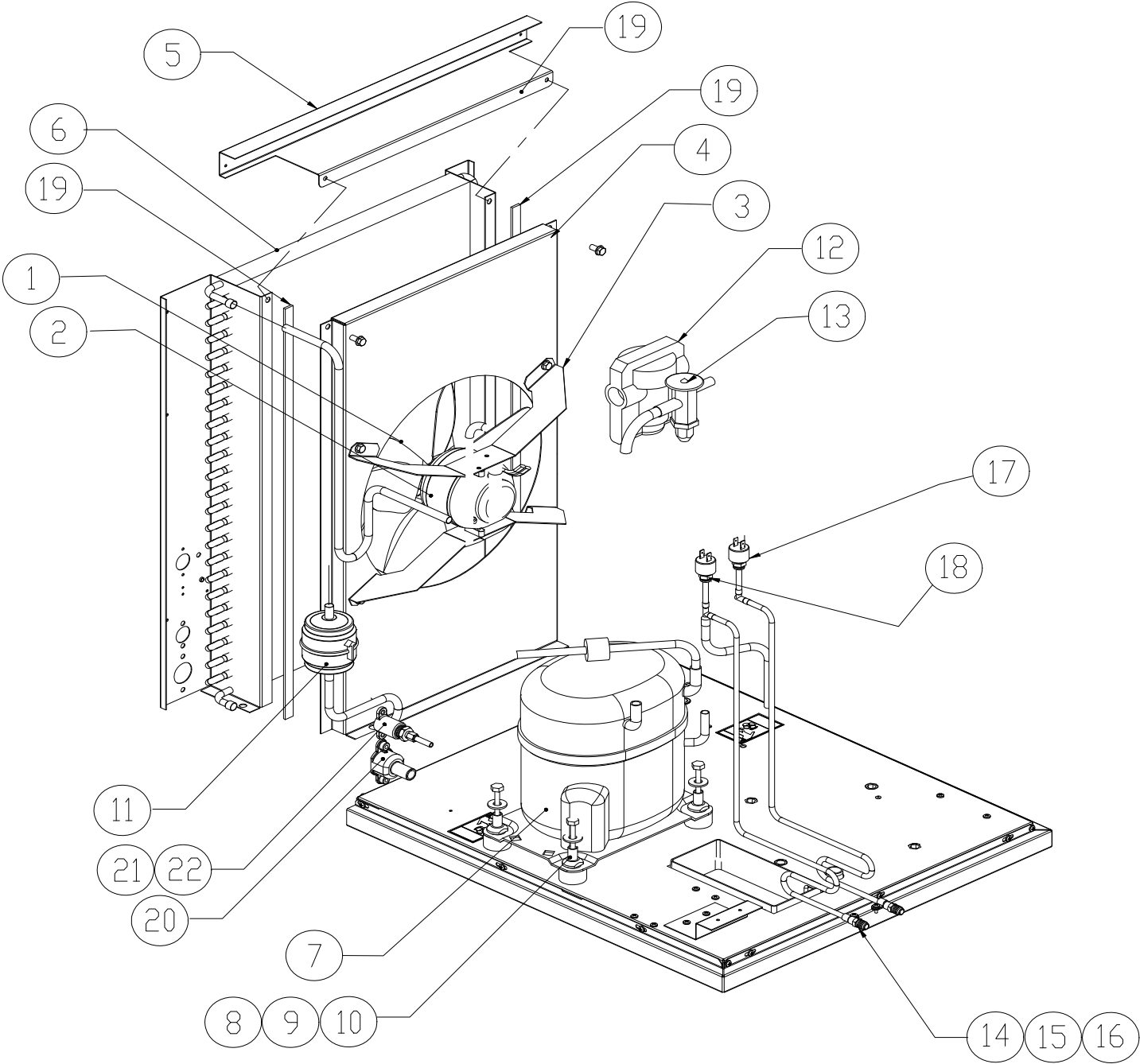
Ice-O-Matic
11100 East 45th Ave.
Denver Co. 80239
800-423-3367



Item No.	Model Number						Description
		MFI1506A	MFI1506R	MFI2306W	MFI1230R		
1		3021951-01	3021951-01	3022034-01	3022034-01		Panel, Top
2		9031046-27	9031046-27	9031046-27	9031046-27		Screw
3		3021953-01	3021953-01	3021953-01	3021953-01		Panel, Service
4		3021952-01	3021952-01	3021952-01	3021952-01		Panel, End, Right
5		9031113-14	9031113-14	9031113-09	9031113-09		Screw
6		2031515-01	2031519-01	2031548-01	2031548-01		Front Panel
7		9131475-01	NA	NA	NA		Air Filter
8		9031046-27	9031046-27	9031046-03	9031046-03		Screw
9		2021701-01	2021701-01	3011381-01	3011381-01		Front Brace
10		3013391-01	3013391-01	3013391-01	3013391-01		Control Box Cover
11		3021950-01	3021950-01	3021950-01	3021950-01		Panel, End, Left
12		9031045-07	9031045-07	9031045-07	9031045-07		Screw
13		NA	3013392-01	3013785-01	3013785-01		Panel, Rear
14		2021699-01	2021699-01	2021872-01	2021827-01		Base
15		9021112-01	9021112-01	9021112-01	9021112-01		Cabinet Catch
16		9021121-01	9021121-01	9021121-01	9021121-01		Strike

2031515-01 Louvered Front Panel

2031519-01 2031548-01 Solid Front Panel-No Louvers



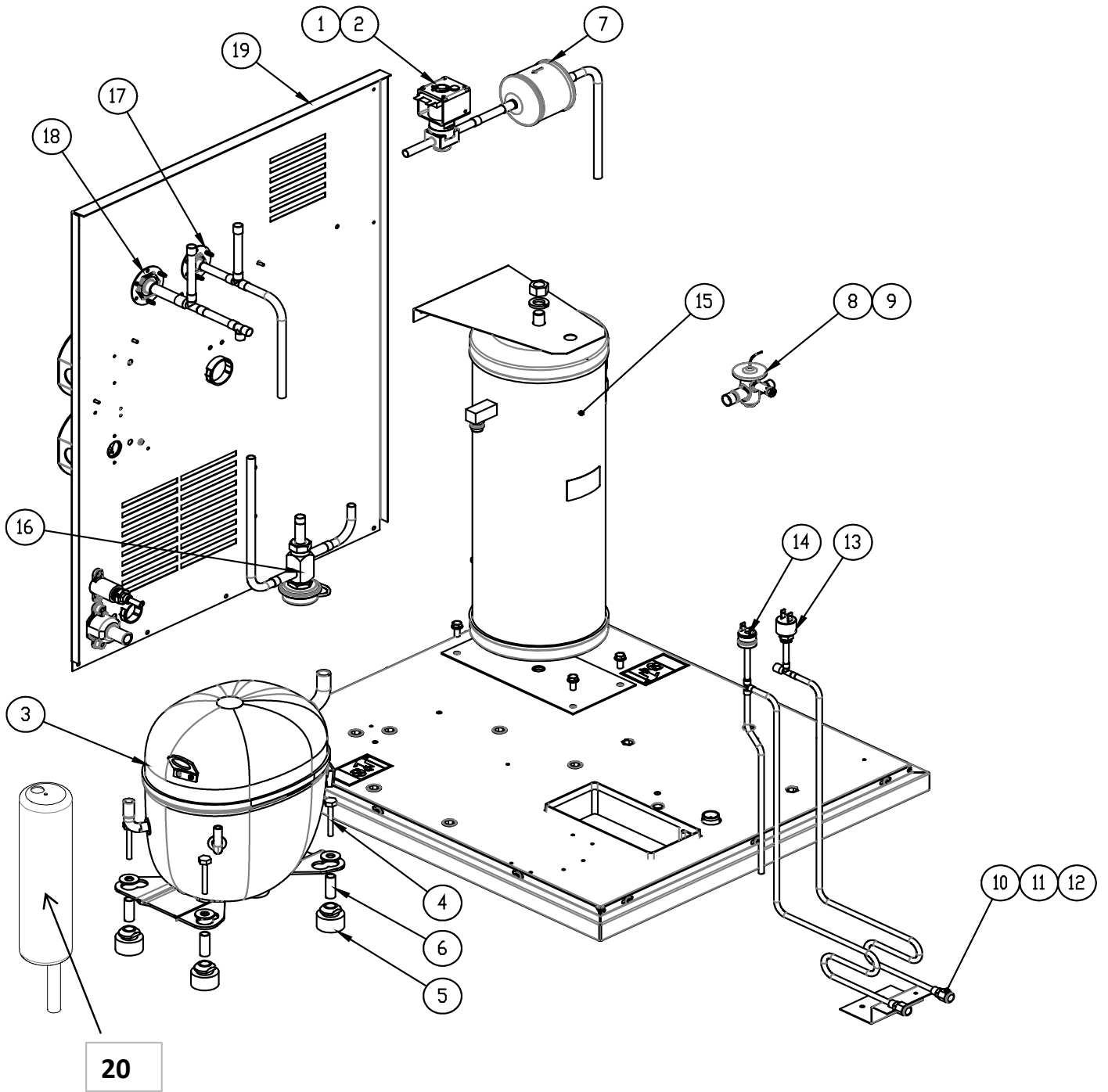
GEM-MFI Series Service Parts

Air Cooled

Item	Model Number		
No.		MFI1506A	Description
1		9131383-01	Fan Blade
2		9161125-01	Fan Motor
3		3013582-01	Fan Bracket
4		3013586-01	Fan Shroud
5		3013378-01	Fan Shroud Cover
6		9141138-01	Air Condenser
7		9151153-11	Compressor
8		9031001-41	Compressor Bolt
9		9181002-09	Compressor Grommet
10		9181002-02	Compressor Grommet Sleeve
11		9151163-03	Drier
12		9131143-02	Expansion Valve Insulation
13		9151182-01	Expansion Valve
14		9091086-01	Service Valve Body
15		9091086-02	Service Valve Core
16		9091086-03	Service Valve Cap
17		9041091-01	Hi Pressure Cut Out
18		9041102-01	Low Pressure Cut Out
19		6081004-07	Gasket Strip, Flat 4 Ft. Required
20		9091140-01	Drain Fitting
21		9091074-01	Drop Adapter
22		9091083-01	Water Inlet Fitting

Compressor and Starting Components

Item	Model Number		
No.		MFI1506A	Description
1		9181153-11	Compressor Kit
2		9181009-17	Run Capacitor
3		9181003-52	Start Capacitor
4		9181010-04	Compressor Relay
5		Internal	Overload

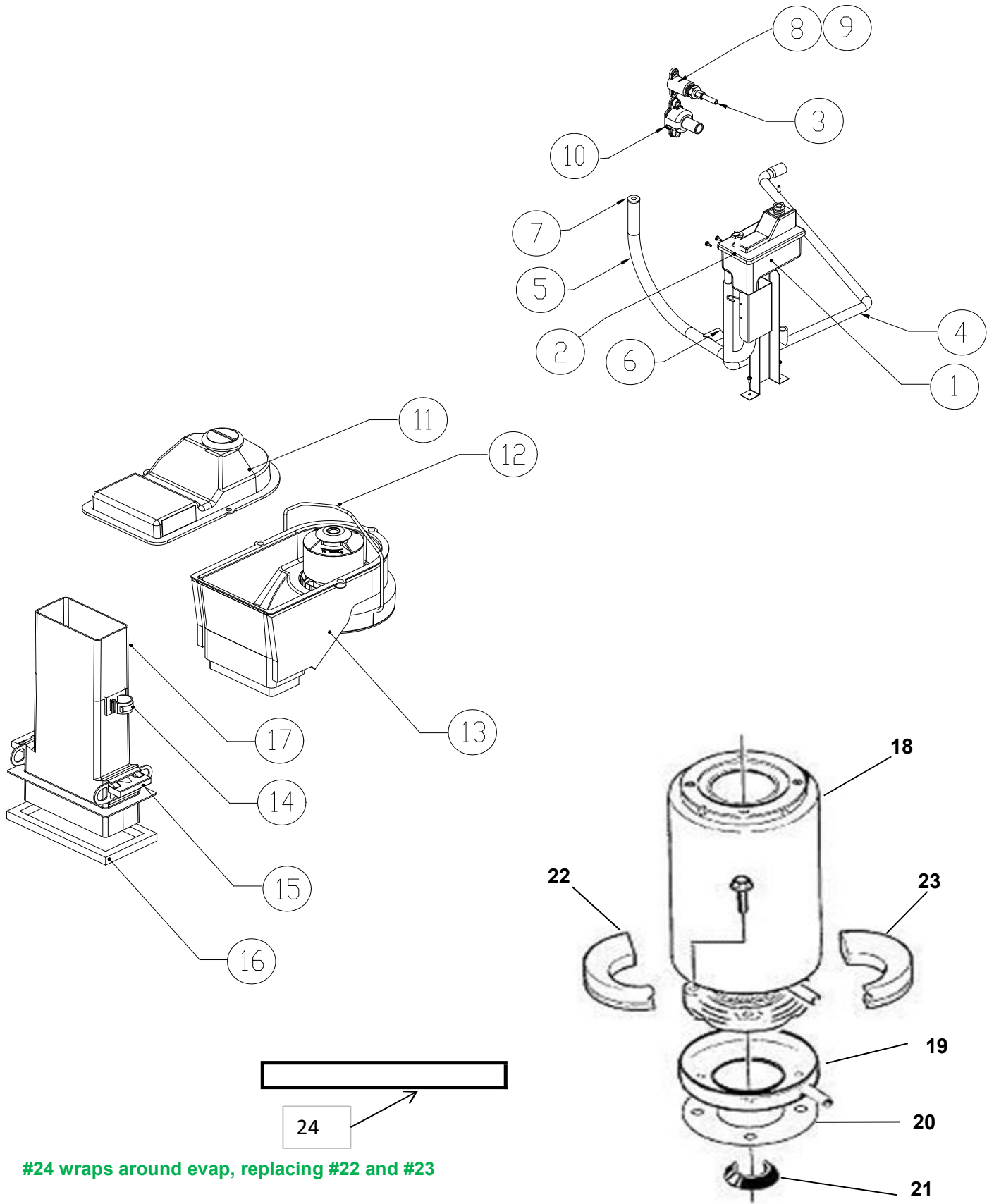


Item No.	Model Number				MFI1506R	MFI2306R	Description
1					9151123-01	9151192-02	Liquid Line Solenoid Body
2					9151123-04	9151193-02	Liquid Line Solenoid Coil
3					9181153-11	9181199-11	Compressor
4					9031001-41	9031001-41	Compressor Bolt
5					9181002-09	9181002-09	Compressor Grommet
6					9181002-02	9181002-02	Compressor Grommet Sleeve
7					9151163-03	9151163-03	Drier
8					9131143-02	9131544-01	Expansion Valve Insulation
9					9151182-01	9151182-01	Expansion Valve
10					9091086-01	9091086-01	Service Valve Body
11					9091086-02	9091086-02	Service Valve Core
12					9091086-03	9091086-03	Service Valve Cap
13					9041111-01	9041111-01	Hi Pressure Cut Out
14					9041102-01	9041115-01	Low Pressure Cut Out
15					9151159-01	9151060-01	Receiver
16					9151027-05	9151027-07	Head Pressure Control Valve
17					9091001-11	9091001-11	Quick Connect Fitting 3/8
18					9091001-12	9091001-12	Quick Connect Fitting 1/2
19					3013392-01	3013785-01	Rear Panel
20					9151164-01	NA	Accumulator

Compressor and Starting Components

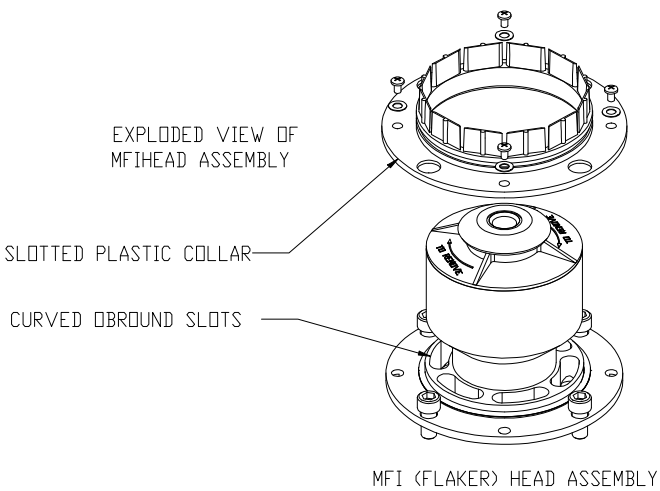
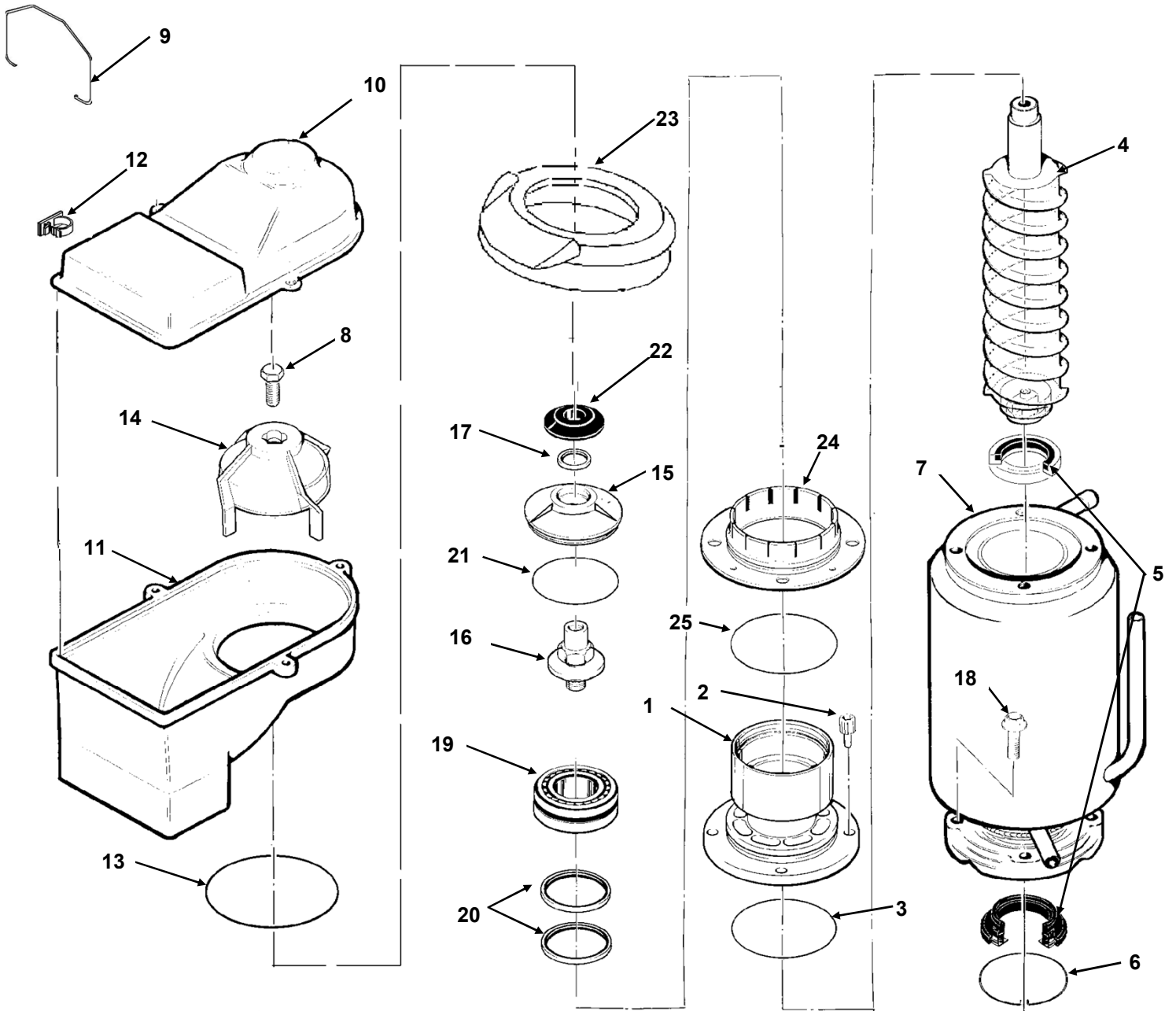
Item No.	Model Number				MFI1506R	MFI2306R	Description
1					9181153-11	9181199-11	Compressor Kit
2					9181009-17	9181009-20	Run Capacitor
3					9181003-52	NA	Start Capacitor
4					9181010-04	NA	Compressor Relay
5					Internal	Internal	Overload

Head Pressure Control Valve for the Model MFI2306R is located in the Remote Condenser



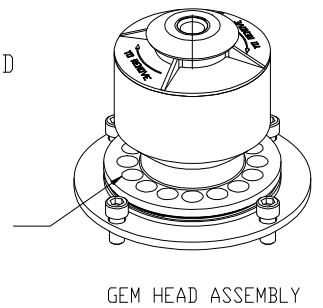
#24 wraps around evap, replacing #22 and #23

Item No.	Model Number						Description
			MFI1506A	MFI1506R	MFI1236W	MFI1230R	
1			9131481-01	9131481-01	9131481-01	9131481-01	Float Assembly
2			9101334-01	9101334-01	9101334-01	9101334-01	Probe-Conductivity
3			3032898-40	3032898-40	NA	NA	1/4 OD Polyethylene Tube (40")
			NA	NA	3022898-07	3022898-07	1/4 OD Polyethylene Tube (7")
			NA	NA	3022898-26	3022898-26	1/4 OD Polyethylene Tube 26")
			NA	NA	9091184-01	9091184-01	Tee, Push to Connect
4			9051606-01	9051606-01	9051804-01	9051804-01	Tube, Water Drain
5			9051619-01	9051619-01	9051619-01	9051805-01	Tube, Evaporator Water Inlet
6			9021113-01	9021113-01	9021113-01	9021113-01	Clamp
7			9051610-01	9051610-01	9051610-01	9051610-01	Plug
8			9091074-01	9091074-01	9091074-01	9091074-01	Drop Adapter Fitting
9			9091083-01	9091083-01	9091083-01	9091083-01	Water Inlet Fitting
10			9091140-01	9091140-01	9091140-01	9091140-01	Drain Fitting
11			9051602-01	9051602-01	9051602-01	9051602-01	Cover-Ice Chute
12			9131494-01	9131494-01	9131494-01	9131494-01	Clamp-Ice Chute
13			9131495-01	9131495-01	9131495-01	9131495-01	Ice Chute and Foam Assembly
14			9021116-01	9021116-01	9021116-01	9021116-01	Clip-Hose
15			1051166-01	1051166-01	1051166-01	1051166-01	Bin Control Assembly Set of 2
16			9051614-01	9051614-01	9051614-01	9051614-01	Gasket, Ice Chute
17			9051601-02	9051601-02	9051601-02	9051601-02	Ice Chute,Lower
18			9151169-01	9151169-01	9151169-01	9151169-01	Evaporator
19			9051632-01	9051632-01	9051632-01	9051632-01	Drip Pan
20			9131486-01	9131486-01	9131486-01	9131486-01	Drip Pan Gasket
21			9051611-01	9051611-01	9051611-01	9051611-01	Water Shed
22			1011380-178	1011380-178	1011380-178	1011380-178	Insulation NLA-See Item 24
23			1011380-179	1011380-179	1011380-179	1011380-179	Insulation NLA-See Item 24
24			9021140-01	9021140-01	9021140-01	9021140-01	Insulation Replaces 22 and 23



NOTE DIFFERENCE BETWEEN MFI HEAD ASSEMBLY AND GEM HEAD ASSEMBLY

ROUND EXTRUSION HOLES WITH NO SLOTTED PLASTIC COLLAR

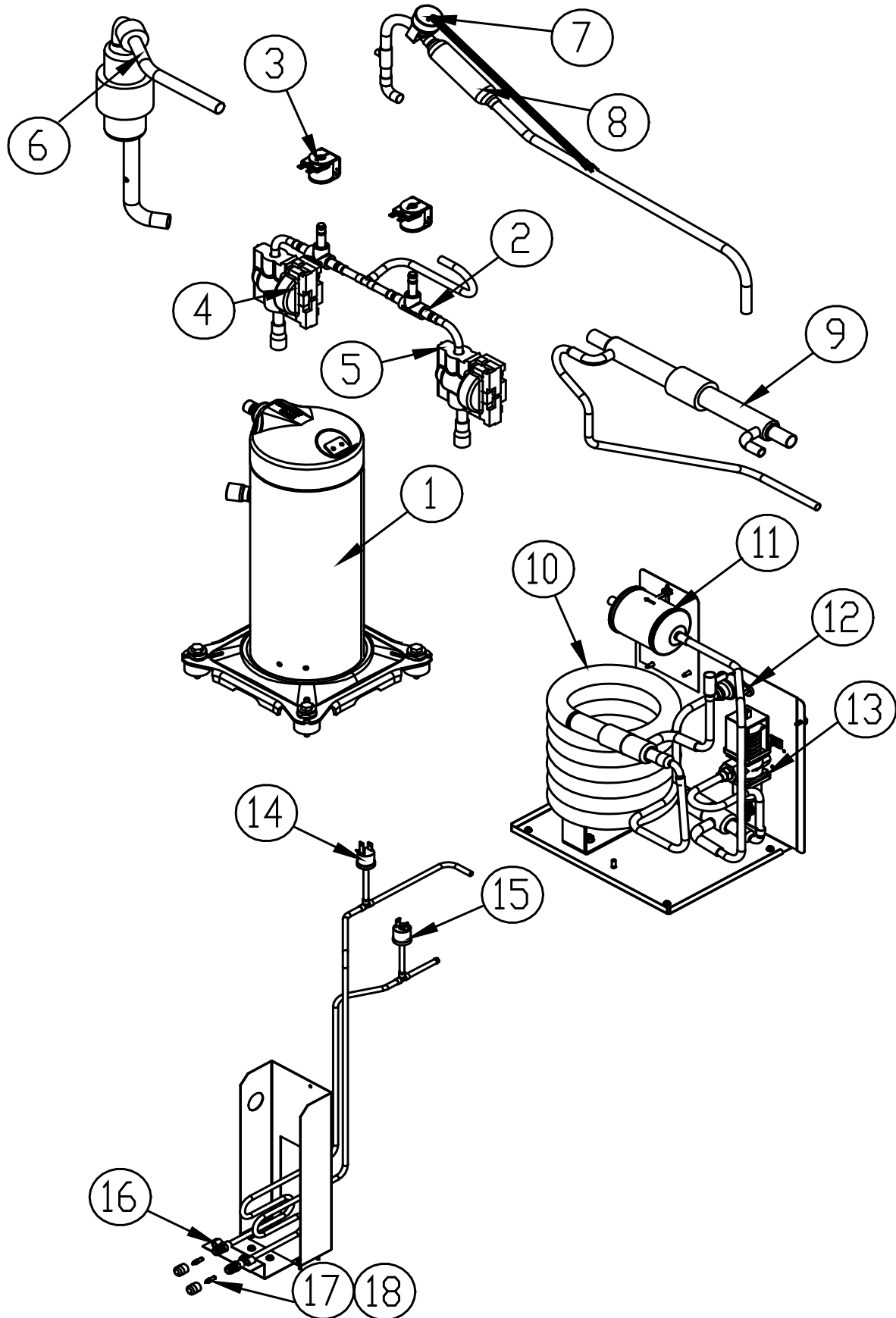


Item No.	Model Number						Description
		MFI1506A	MFI1506R	MFI2306W	MFI2306R		
1		1051221-01	1051221-01	1051221-01	1051221-01	1051221-01	Breaker (Includes items 3,15,17,19,21,22,25)
2		9031169-02	9031169-02	9031169-02	9031169-02	9031169-02	Socket Head Screw
3		9051636-01	9051636-01	9051636-01	9051636-01	9051636-01	O-Ring
4		9151196-01	9151196-01	9151196-01	9151196-01	9151196-01	Auger
5		9021142-01	9021142-01	9021142-01	9021142-01	9021142-01	Water Seal
6		9021141-01	9021141-01	9021141-01	9021141-01	9021141-01	Ring, Water Seal
7		9151169-01	9151169-01	9151169-01	9151169-01	9151169-01	Evaporator-Barrel Only
8		9031001-44	9031001-44	9031001-44	9031001-44	9031001-44	Hex Cap Screw
9		9131494-01	9131494-01	9131494-01	9131494-01	9131494-01	Bail Clamp
10		9051602-01	9051602-01	9051602-01	9051602-01	9051602-01	Ice Chute Cover
11		9131495-01	9131495-01	9131495-01	9131495-01	9131495-01	Ice Chute Body with Insulation
12		9021116-01	9021116-01	9021116-01	9021116-01	9021116-01	Drain Hose Clip
13		9051634-01	9051634-01	9051634-01	9051634-01	9051634-01	O-Ring
14		9051603-01	9051603-01	9051603-01	9051603-01	9051603-01	Ice Sweep
15		9151171-01	9151171-01	9151171-01	9151171-01	9151171-01	Breaker Cover
16		9151168-01	9151168-01	9151168-01	9151168-01	9151168-01	Auger Stud
17		9121053-01	9121053-01	9121053-01	9121053-01	9121053-01	Lip Seal
18		9031001-42	9031001-42	9031001-42	9031001-42	9031001-42	Cap Screw
19		9121052-01A	9121052-01A	9121052-01A	9121052-01A	9121052-01A	Bearing
20		9121053-01	9121053-01	9121053-01	9121053-01	9121053-01	Lip Seal
21		9051635-01	9051635-01	9051635-01	9051635-01	9051635-01	O-Ring
22		9051611-01	9051611-01	9051611-01	9051611-01	9051611-01	Water Shed
23		9051613-01	9051613-01	9051613-01	9051613-01	9051613-01	Insulation Collar
24		9051638-01	9051638-01	9051638-01	9051638-01	9051638-01	Slotted collar
25		9051637-01	9051637-01	9051637-01	9051637-01	9051637-01	O-Ring

Note: Units manufactured from July 1, 2019 have a Solid Oil Surface Bearing that are relubrication free.

Note: Reference Page 10 for Lubricant and Grease Needle

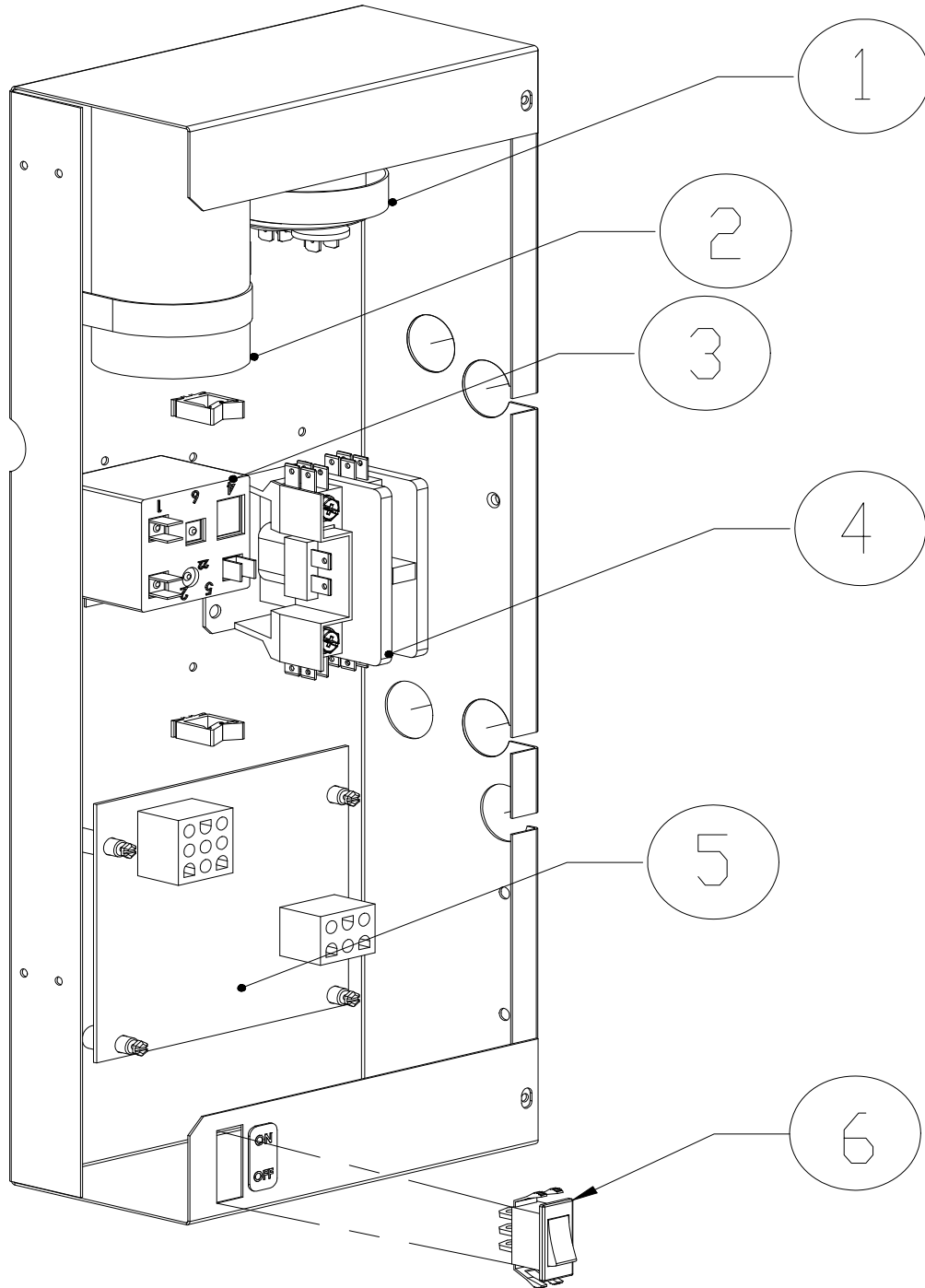




Item No.	Model Number					MFI2306W	Description
1						9181199-11	Compressor
2						9151192-02	Liquid Line Solenoid
3						9151193-02	Liquid Line Solenoid Coil
4						9151182-01	Expansion Valve
5						9131544-01	Expansion Valve Insulation
6						9151201-01	Accumulator
7						9041161-01	Control, High Temp
8						9151203-01	Check Valve
9						9151177-01	Heat Exchanger
10						9141157-01	Water Condenser
11						9151163-02	Drier
12						9091063-02	Drop Adapter
13						9041059-01	Water Regulator
14						9041111-01	Hi Pressure Cut Out
15						9041115-01	Low Pressure Cut Out
16						9091086-01	Service Valve Body
17						9091086-02	Service Valve Core
18						9091086-03	Service Valve Cap

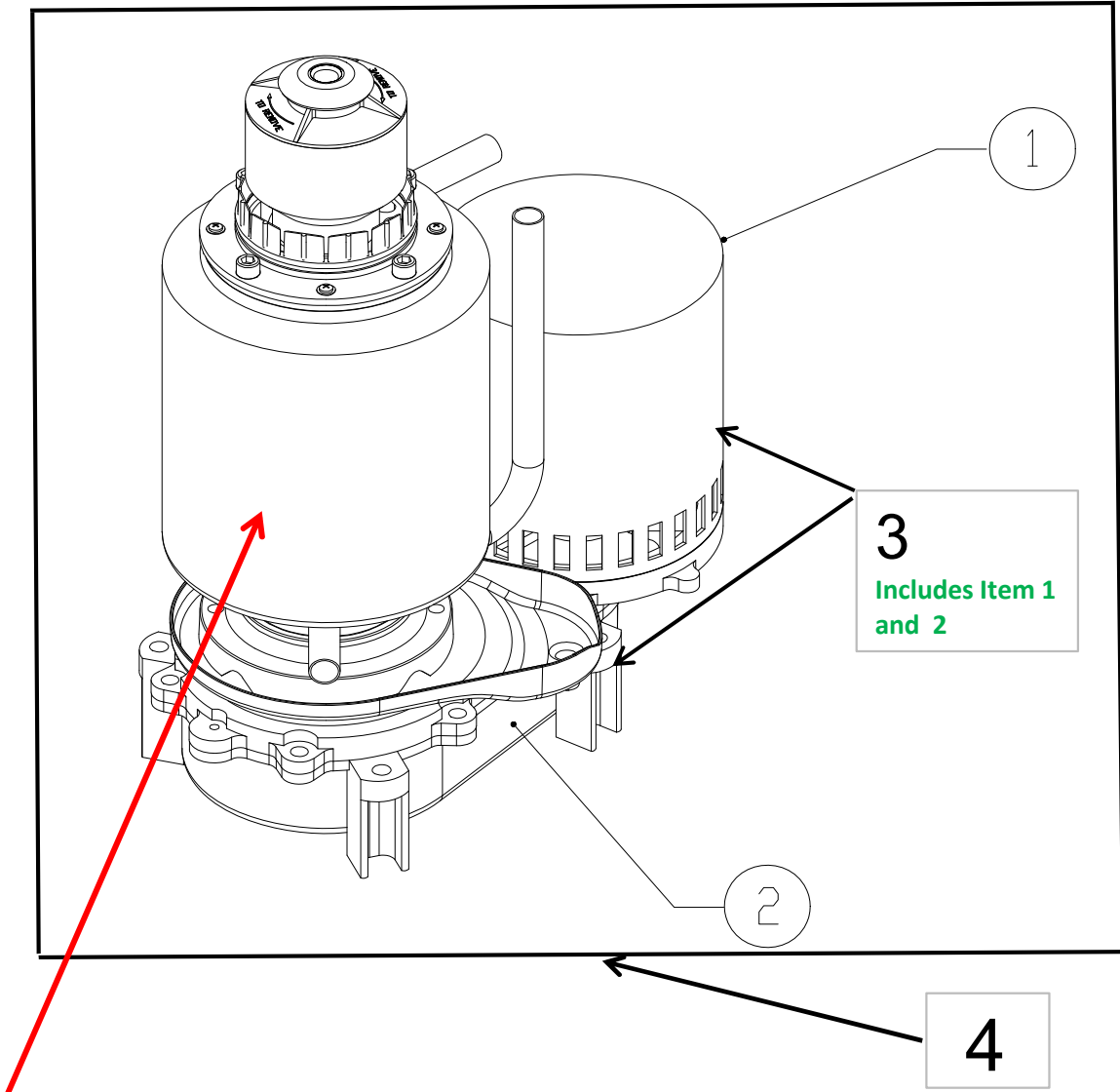
Compressor and Starting Components

Item No.	Model Number					MFI2306W	Description
1						9181199-11	Compressor Kit
2						9181009-20	Run Capacitor
3						NA	Start Capacitor
4						NA	Compressor Relay
5						Internal	Overload



Item No.	Model Number				Description
	MFI1506A	MFI1506R	MFI2306W	MFI2306R	
1	See Page 4	See Page 6	See Page 12	See Page 6	Run Capacitor
2	See Page 4	See Page 6	See Page 12	See Page 6	Start Capacitor
3	See Page 4	See Page 6	See Page 12	See Page 6	Compressor Relay
4	9101002-06	9101002-06	9101002-06	9101002-06	Contactur
5	9101335-01	9101335-01	9101335-01	9101335-01	Board
6	9101139-04	9101139-04	9101139-04	9101139-04	Switch

The MFI2306R and MFI2306W use 2 Boards, the 2 Boards are the SAME Part Number



The Evaporator IS NOT AVAILABLE AS AN ASSEMBLY, INDIVIDUAL COMPONENTS MUST BE ORDERED
 The Evaporator only as an assembly is not available because there is no way to support the lower portion of the Auger.

Item No.	Model Number				Description
	MF1506A	MF1506R	MF12306W	MF12306R	
1	9161140-01	9161140-01	9161140-01	9161140-01	Drive Motor Only
2	9161141-01	9161141-01	9161141-01	9161141-01	Gear Box Assembly Only
3	9161126-01	9161126-01	9161126-01	9161126-01	Drive Motor-Gear Box Assy
4	2081044-05A	2081044-05A	2081044-05A	2081044-05A	Complete Assembly*

*Note: Complete Assembly includes Drive Motor, GearBox Assembly and Evaporator Assembly

Lubricants			
	6051073-01	Requires 14 oz.	Gear Box Lubricant
	9131560-01		Grease Needle
	6051062-01		Upper Bearing Grease

Note: Units manufactured from July 1, 2019 have a Solid Oil Surface Bearing that are relubrication free.